

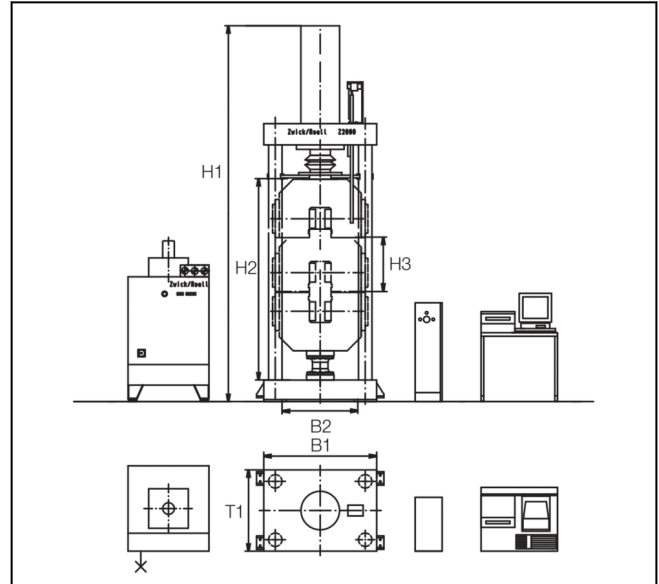
Product Information

Z2000H Materials Testing Machine with Hydraulic Drive

CTA: 133674 92463



ZwickRoell Z2000H with hydraulic grips



Drawing: ZwickRoell Z2000H with hydraulic grips

Key benefits

- Hydraulic materials testing machines have a single central hydraulic drive (differential actuator).
- The materials testing machines are optionally equipped with an adjustable top crosshead to be able to adapt the test area to customer-specific requirements.
- The ergonomic operating height facilitates easy feeding of specimens.
- With the high resolution and channel-synchronized measurement technology, material characteristics are determined with extreme accuracy. Range-switching is not necessary as load signal resolution is available over the full range.
- Force measurement takes place via a DMS load cell and is calibrated in accordance with ISO 7500-1 in Class 0.5 and Class 1.
- The wide measurement range also allows low test loads to be determined precisely, with no need to re-equip the testing machine.
- The testing machine is set on vibration damping rubber mats. A special foundation is not necessary.

Additional advantages and features

- For standard testing with the ZwickRoell testXpert testing software, operator involvement is reduced to the push of a button.
- Modular design throughout the system allows the entire ZwickRoell accessory range to be used, including a wide variety of extensometers, specimen grips and other test fixtures.
- Should new testing requirements arise, additional test fixtures are easily installed via a T-slot or screw system.
- The materials testing machine can be tailored to customer-specific requirements (e.g. test devices, specimen grips, test speed ranges, testing software).

Product Information

Z2000H Materials Testing Machine with Hydraulic Drive

Type Item No.	Z2000H 358426	Z2000H 750749	
Fmax	2000	2000	kN
Top crosshead	Fixed	adjustable	
No. of guide columns	4	4	
Stiffness of load frame at Fmax (without specimen grips and load cell), approx.	2000	2000	kN/mm
Load-frame dimensions			
H1 - height	4125	max. 4600	mm
B1 - width	1255	1400	mm
T1 - depth	905	1100	mm
Test area dimensions			
H1 - height	2236	max. 2829	mm
B2 - width	850	850	mm
H3 - max. stroke	600	600	mm
Max. test speed	200	200	mm/min
Weight			
without accessories (with electronics)	7100	8500	kg
with specimen grips	10800	12200	kg
Specific floor loading	3.2	3.6	kg/cm ²
Load cell accuracy class			
0.5 from	40	40	kN
1 from	8	8	kN
Displacement resolution of drive	0.16	0.16	µm
Positioning accuracy	± 0.01	± 0.01	mm

Description	Value	
Environmental conditions		
Operating temperature	+10 to +35	°C
Storage temperature	-25 to +55	°C
Humidity (non-condensing)	<90	%
Electrical power supply		
power supply voltage 3 Ph/N/PE	400	V
power supply frequency	50	Hz
drive rating	20	kVA
back-up fuse	40	A
Noise level at 1 meter distance	67	dB(A)
Color of housing	RAL 7011 (iron gray) and RAL 7038 (agate gray)	